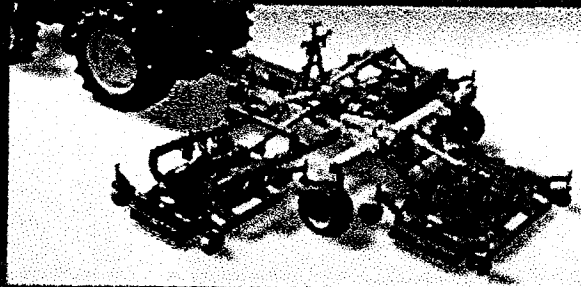
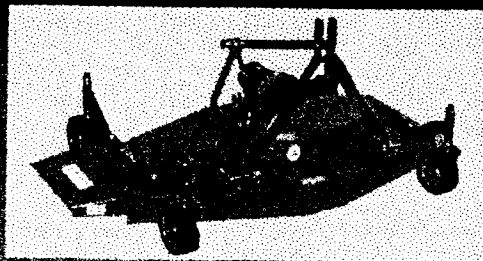


TECHNICAL BOOK
NEW
"ME
"MRD - XFM"
"SRM - PRM - XRM"



DELMORINO



Farm & garden equipment manufacturer

DelMorino

Del Morino srl , v.Caroni di Sotto 19,
I-52033 Caprese Michelangelo AR Italy
Ph: +39-575-791059 Fax: +39-575-791210
E.mail: 100710.3101@compuserve.com
<http://www.Italia.com/Delmorino>
New E.Mail: delmorin@vinf.ats.it

SPARE PARTS LIST – MOWER TYPE TIPO SRM

REF.	DESCRIPTION	CODE #	SRM 120	SRM 150	SRM 180
1	FRAME	SRM072VD	1		
1	FRAME	SRM073VD		1	
1	FRAME	SRM074VD			1
2	WHEEL BRACKET FOR RUBBER WHEEL	SRM060VD	2		
2	WHEEL BRACKET FOR RUBBER WHEEL	SRM061VD		2	
2	WHEEL BRACKET FOR RUBBER WHEEL	SRM062VD			2
2*	WHEEL BRACKET FOR TIRE WHEEL	PRM057VD	2		
2*	WHEEL BRACKET FOR TIRE WHEEL	SRM081VD		2	
2*	WHEEL BRACKET FOR TIRE WHEEL	PRM059VD			2
3	COMPLETE RUBBER WHEEL GROUP	SRM071D	4	4	4
3*	COMPLETE TIRE WHEEL GROUP	SRM078D	4	4	4
4	COMPLETE ROTATION GROUP	SRM051D	3	3	3
5	GEAR BOX SUPPORT FOR ADJUSTABLE HITCH	SRM065VD	1		
5	GEAR BOX SUPPORT FOR ADJUSTABLE HITCH	SRM066VD		1	
5	GEAR BOX SUPPORT FOR ADJUSTABLE HITCH	SRM067VD			1
5**	GEAR BOX SUPPORT FOR PIVOTAL VERTEX	SRM068VD	1		
5**	GEAR BOX SUPPORT FOR PIVOTAL VERTEX	SRM069VD		1	
5**	GEAR BOX SUPPORT FOR PIVOTAL VERTEX	SRM070VD			1
6	BELT COVER CARTER L	SRM157VD	1		
6	BELT COVER CARTER L	SRM160VD		1	
6	BELT COVER CARTER L	SRM162VD			1
7	BELT COVER CARTER R	SRM158VD	1		
7	BELT COVER CARTER R	SRM159VD		1	
7	BELT COVER CARTER R	SRM161VD			1
8	DISCHARGE CARTER	SRM163VD	1		
8	DISCHARGE CARTER	SRM164VD		1	
8	DISCHARGE CARTER	SRM165VD			1
9	BLADE	SRM200D	3		
9	BLADE	SRM201D		3	
9	BLADE	SRM202D			3
10	DRIVE PULLEY P250/2B	SRM193D	1	1	1
11	SIDE PULLEY P120/1B	SRM194D	2		
11	SIDE PULLEY P140/1B	SRM196D		2	
11	SIDE PULLEY P170/1B	SRM198D			2
12	CENTRAL PULLEY P120/2B	SRM195D	1		
12	CENTRAL PULLEY P140/2B	SRM197D		1	
12	CENTRAL PULLEY P170/2B	SRM199D			1
13	LOWER HITCH SHAFT	SRM220D	2	2	2
14***	PIVOTAL VERTEX	SRM059VD	1	1	1
15	III° POINT BRACKET FOR ADJUSTABLE HITCH	SRM057VD	1		
15	III° POINT BRACKET FOR ADJUSTABLE HITCH	SRM058VD		1	1
15**	III° POINT BRACKET FOR PIVOTAL VERTEX	SRM184VD	2		
15**	III° POINT BRACKET FOR PIVOTAL VERTEX	SRM185VD		2	2
16	TIE-ROD FOR ADJUSTABLE HITCH	SRM054VD	1		

SPARE PARTS LIST – MOWER TYPE TIPO SRM					
REF.	DESCRIPTION	CODE #	SRM 120	SRM 150	SRM 180
16	TIE-ROD FOR ADJUSTABLE HITCH	SRM055VD		1	
16	TIE-ROD FOR ADJUSTABLE HITCH	SRM056VD			1
16**	TIE-ROD FOR PIVOTAL VERTEX	SRM186VD	2		
16**	TIE-ROD FOR PIVOTAL VERTEX	SRM187VD		2	
16**	TIE-ROD FOR PIVOTAL VERTEX	SRM188VD			2
17	GEAR BOX SLIDE	SRM063VD	1		
17	GEAR BOX SLIDE	SRM064VD		1	1
18					
19	BELT B57	42800001	2		
19	BELT B69	42800002		2	
19	BELT B79	42800003			2
20	WASHER D24 UNI 6592	40300015	1	1	1
21	CROWN NUT M24 UNI 5594	40200021	1	1	1
22	SPLIT PIN 4.5X50 UNI1337	42700002	1	1	1
23	SCREW M8X16 UNI 5739	40100042	4	4	4
24	SCREW M10X25 UNI 5739	40100043	7	7	7
25	SCREW M10X30 UNI 5739	40100012	13	13	13
26	SCREW M10X70 UNI 5739	40100062	1		
26	SCREW M10X80 UNI 5739	40100044		1	1
27	SCREW M10X80 UNI 5737	40100045	6	6	6
28	SCREW M12X60 UNI 5737	40100055	1	1	1
28**	SCREW M12X35 UNI 5739	40100015	2	2	2
29	SCREW M12X100 UNI 5737	40100046	1	1	1
30	SCREW M16X40 UNI 5933	40100047	4	4	4
31	WASHER D8 UNI 6592	40300002	14	14	14
32	WASHER D10 UNI 6592	40300003	40	40	40
33	WASHER D12 UNI 6592	40300004	14	14	14
34	NUT M10 UNI 5588	40200005	1	1	1
35	WASHER D22 UNI 7980	40300024	2	2	2
36	NUT CONELOCK M8 DIN 980	40200002	6	6	6
37	NUT CONELOCK M10 DIN 980	40200003	17	17	17
38	NUT CONELOCK M12 DIN 980	40200006	7	7	7
39	NUT CONELOCK M16 DIN 980	40200008	4	4	4
40	NUT M22 UNI 5588	40200025	2	2	2
41	COWLING	41900004	1	1	1
42	GEAR BOX COMER 141.003.00-540 R.P.M. LEFT	42000010	1	1	1
42#	GEAR BOX COMER 141.002.00-540 R.P.M. RIGHT	42000006	1	1	1
42#	GEAR BOX COMER 141.012.00-1000 R.P.M. LEFT-RIGHT	42000012	1	1	1
42#	GEAR BOX COMER 141.300.10-2000 R.P.M. LEFT	42000011	1	1	1
42#	GEAR BOX COMER 141.304.00-2000 R.P.M. RIGHT	42000013	1	1	1
46	RUBBER WHEEL SUPPORT	SRM053VD	4	4	4
46*	TIRE WHEEL SUPPORT	SRM079VD	4	4	4
47	SPACER 2 MM	SRM203ZD	10	10	10
48	SPACER 6 MM	SRM204ZD	4	4	4
49	SPACER 13 MM	SRM205ZD	12	12	12
50	SPACER 25 MM	SRM206ZD	4	4	4
51	SPACER 32 MM	SRM207ZD	4	4	4

SPARE PARTS LIST – MOWER TYPE TIPO SRM					
REF.	DESCRIPTION	CODE #	SRM 120	SRM 150	SRM 180
52	SCREW M12X110 UNI 5737	40100048	4	4	4
52*	SCREW M12X150 UNI 5737	40100049	4	4	4
53	PIN D6	41300002	4	4	4
54	RUBBER WHEEL DIAMETER 210X80	42900001	4	4	4
54*	TIRE WHEEL DIAMETER 330X125	42900002	4	4	4
55	BUSH FOR RUBBER WHEEL	SRM232D	4	4	4
55*	BUSH FOR TIRE WHEEL	SRM234D	4	4	4
56	HUB	SRM052VD	3	3	3
57	SHAFT	SRM190D	3	3	3
58	SPACER	SRM192D	3	3	3
59	BEARING PROTECTION	SRM191ZD	3	3	3
60	BEARING 6205 Z	41000010	6	6	6
61	TONGUE UNI 6604-A 8X7X35	40500001	3	3	3
62	NUT CONELOCK M18 DIN 980	40200026	3	3	3
63	SELF LOCKING NUT M25X1.5	40700003	3	3	3
64	GREASER UNI 7663-A-M6X1	40600001	4	4	4
65***	BUSH FOR PIVOTAL VERTEX	SRM233D	2	2	2
66	STANDARD CARDAN SHAFT II° CAT. L=1000	42600012	1	1	1
66#	SLIP CLUTCH CARDAN SHAFT II° CAT. L=1000	42600013	1	1	1
66#	FREE WHEEL CARDAN SHAFT II° CAT. L=1000	42600014	1	1	1
66#	BOLT CARDAN SHAFT II° CAT. L=1000	42600015	1	1	1
68	WASHER D 10X30	40300013	3	3	3
68	WASHER D 10X40	40300028	6	6	6

*** : TIRE WHEEL – IN ALTERNATIVE WITH SAME POSITIONS WITHOUT ***

**** : PIVOTAL VERTEX – IN ALTERNATIVE WITH SAME POSITIONS WITHOUT ****

***** : ONLY FOR PIVOTAL VERTEX**

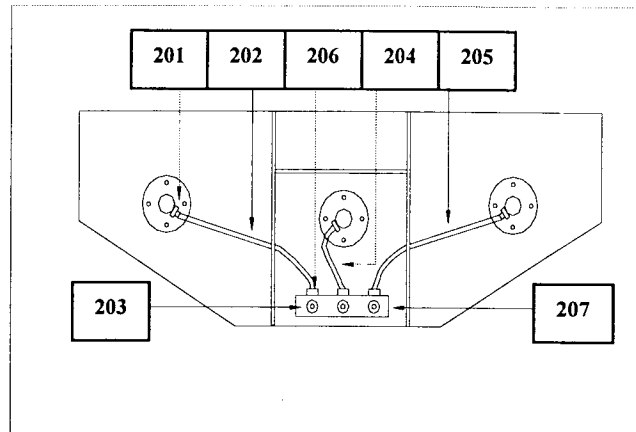
: IN ALTERNATIVE WITH SAME POSITIONS WITHOUT



OUTSTANDING FINISHING MOWER SRM type

Part list

Variation : centralized lubrication ⇒ CL



REF.	DESCRIPTION	CODE #	120	150	180
203	EXTENSIONS CONNECTORS	43000003	3	3	3
202	PLASTIC TUBE	43000004	1		
202	PLASTIC TUBE	43000005	1	1	
202	PLASTIC TUBE	43000006		1	1
204	PLASTIC TUBE	43000007	1	1	1
205	PLASTIC TUBE	43000008			1
201	CONNECTORS M	43000001	3	3	3
206	CONNECTORS F	43000002	3	3	3
207	SUPPORT	SRM242VD	1	1	1

SPARE PARTS LIST – FINISHING MOWER SRM TYPE							
NEW REF.	OLD REF.	DESCRIPTION	NEW CODE	OLD CODE	LIRE	FF	USD
1	31	FRAME – 120	SRM072VD	10025			
1	31	FRAME – 120	SRM073VD	10055			
1	31	FRAME – 150	SRM074VD	10085			
2	32	WHEEL BRACKET FOR RUBBER WHEEL – 120	SRM060VD	10026			
2	32	WHEEL BRACKET FOR RUBBER WHEEL – 150	SRM061VD	10056			
2	32	WHEEL BRACKET FOR RUBBER WHEEL – 180	SRM062VD	10086			
2*	-	WHEEL BRACKET FOR TIRE WHEEL – 120	PRM057VD	-			
2*	-	WHEEL BRACKET FOR TIRE WHEEL – 150	SRM081VD	-			
2*	-	WHEEL BRACKET FOR TIRE WHEEL – 180	PRM059VD	-			
3	-	COMPLETE RUBBER WHEEL GROUP	SRM071D	-			
3*	-	COMPLETE TIRE WHEEL GROUP	SRM078D	-			
4	80	COMPLETE ROTATION GROUP	SRM051D	50059			
5	-	GEAR BOX SUPPORT FOR ADJUSTABLE HITCH 120	SRM065VD	-			
5	-	GEAR BOX SUPPORT FOR ADJUSTABLE HITCH 150	SRM066VD	-			
5	-	GEAR BOX SUPPORT FOR ADJUSTABLE HITCH 180	SRM067VD	-			
5**	28	GEAR BOX SUPPORT FOR PIVOTAL VERTEX 120	SRM068VD	10023			
5**	28	GEAR BOX SUPPORT FOR PIVOTAL VERTEX 150	SRM069VD	10053			
5**	28	GEAR BOX SUPPORT FOR PIVOTAL VERTEX 180	SRM070VD	10083			
6	30	BELT COVER CARTER LEFT – 120	SRM157VD	50123			
6	30	BELT COVER CARTER LEFT – 150	SRM160VD	50124			
6	30	BELT COVER CARTER LEFT – 180	SRM162VD	50125			
7	30	BELT COVER CARTER RIGHT – 120	SRM158VD	10024			
7	30	BELT COVER CARTER RIGHT – 150	SRM159VD	10054			
7	30	BELT COVER CARTER RIGHT – 180	SRM161VD	10084			
8	63	DISCHARGE CARTER – 120	SRM163VD	10027			
8	63	DISCHARGE CARTER – 150	SRM164VD	10057			
8	63	DISCHARGE CARTER – 180	SRM165VD	10087			
9	66	BLADE – 120	SRM200D	50064			
9	66	BLADE – 150	SRM201D	50065			
9	66	BLADE – 180	SRM202D	50066			
10	55	DRIVE PULLEY P250/2B	SRM193D	50048			
11	62	SIDE PULLEY P120/1B	SRM194D	50049			
11	62	SIDE PULLEY P140/1B	SRM196D	50050			
11	62	SIDE PULLEY P170/1B	SRM198D	50051			
12	60	CENTRAL PULLEY P120/2B	SRM195D	50052			
12	60	CENTRAL PULLEY P140/2B	SRM197D	50053			
12	60	CENTRAL PULLEY P170/2B	SRM199D	50054			
13	10	LOWER HITCH SHAFT	SRM220D	50033			
14***	-	PIVOTAL VERTEX	SRM059VD	-			
15	-	III° POINT BRACKET FOR ADJUSTABLE HITCH 120	SRM057VD	-			
15	-	III° POINT BRACKET FOR ADJUSTABLE HITCH <small>150-180</small>	SRM058VD	-			
15**	1	III° POINT BRACKET FOR PIVOTAL VERTEX – 120	SRM184VD	10020			
15**	1	III° POINT BRACKET FOR PIVOTAL VERTEX – <small>150-180</small>	SRM185VD	10050			

SPARE PARTS LIST – FINISHING MOWER SRM TYPE							
NEW REF.	OLD REF.	DESCRIPTION	NEW CODE	OLD CODE	LIRE	FF	USD
16	-	TIE-ROD FOR ADJUSTABLE HITCH	SRM054VD	-			
16	-	TIE-ROD FOR ADJUSTABLE HITCH	SRM055VD	-			
16	-	TIE-ROD FOR ADJUSTABLE HITCH	SRM056VD	-			
16**	5	TIE-ROD FOR PIVOTAL VERTEX – 120	SRM186VD	10021			
16**	5	TIE-ROD FOR PIVOTAL VERTEX – 150	SRM187VD	10051			
16**	5	TIE-ROD FOR PIVOTAL VERTEX – 180	SRM188VD	10081			
17	19	GEAR BOX SLIDE – 120	SRM063VD	10022			
17	19	GEAR BOX SLIDE – 150-180	SRM064VD	10052			
18							
19	61	BELT B57	42800001	50055			
19	61	BELT B69	42800002	50056			
19	61	BELT B79	42800003	50057			
20	56	WASHER D24 UNI 6592	40300015	50035			
21	57	CROWN NUT M24 UNI 5594	40200021	50026			
22	58	SPLIT PIN 4.5X50 UNI1337	42700002	50038			
23	18	SCREW M8X16 UNI 5739	40100042	50014			
24	14-64	SCREW M10X25 UNI 5739	40100043	50012			
25	67	SCREW M10X30 UNI 5739	40100012	50017			
26	27	SCREW M10X70 UNI 5739	40100062	50016			
26	27	SCREW M10X80 UNI 5739	40100044	50015			
27	46	SCREW M10X80 UNI 5737	40100045	50013			
28	7	SCREW M12X60 UNI 5737	40100055	50009			
28**	-	SCREW M12X35 UNI 5739	40100015	-			
29	2	SCREW M12X100 UNI 5737	40100046	50008			
30	13	SCREW M16X40 UNI 5933	40100047	50011			
31	17-49	WASHER D8 UNI 6592	40300002	50004			
32	68	WASHER D10 UNI 6592	40300003	50002			
33	8	WASHER D12 UNI 6592	40300004	50001			
34	25	NUT M10 UNI 5588	40200005	50022			
35	12	WASHER D22 UNI 7980	40300024	50003			
36	50	NUT CONELOCK M8 DIN 980	40200002	50025			
37	23-69	NUT CONELOCK M10 DIN 980	40200003	50022			
38	9-45	NUT CONELOCK M12 DIN 980	40200006	50020			
39	20	NUT CONELOCK M16 DIN 980	40200008	50024			
40	11	NUT M22 UNI 5588 FINE PITCH	40200025	50021			
41	16	COWLING	41900004	50034			
42	15	GEAR BOX COMER 141.003.00-540 R.P.M. LEFT	42000010	50058			
42#	-	GEAR BOX COMER 141.002.00-540 R.P.M. RIGHT	42000006	-			
42#	-	GEAR BOX COMER 141.012.00-1000 R.P.M. L-R	42000012	-			
42#	-	GEAR BOX COMER 141.300.10-2000 R.P.M. LEFT	42000011	-			
42#	-	GEAR BOX COMER 141.304.00-2000 R.P.M. RIGHT	42000013	-			
46	33	RUBBER WHEEL SUPPORT	SRM053VD	50039			
46*	-	TIRE WHEEL SUPPORT	SRM079VD	-			
47	34-84	SPACER 2 MM	SRM203ZD	50040			
48	35	SPACER 6 MM	SRM204ZD	50041			
49	36-43	SPACER 13 MM	SRM205ZD	50042			
50	37	SPACER 26 MM	SRM206ZD	50043			

SPARE PARTS LIST – FINISHING MOWER SRM TYPE							
NEW REF.	OLD REF.	DESCRIPTION	NEW CODE	OLD CODE	LIRE	FF	USD
51	38	SPACER 33 MM	SRM207ZD	50044			
52	42	SCREW M12X110 UNI 5737	40100048	50010			
52*	-	SCREW M12X150 UNI 5737	40100049	-			
53	39	PIN D6	41300002	50031			
54	41	RUBBER WHEEL DIAMETER 210X80	42900001	50045			
54*	-	TIRE WHEEL DIAMETER 330X125	42900002	-			
55	44	BUSH FOR RUBBER WHEEL	SRM232D	50047			
55*	-	BUSH FOR TIRE WHEEL	SRM234D	-			
56	81	HUB	SRM052VD	50059			
57	87	SHAFT	SRM190D	50063			
58	82	SPACER	SRM192D	50060			
59	86	BEARING PROTECTION	SRM191ZD	50062			
60	83	BEARING 6205 Z	41000010	50061			
61	88	TONGUE UNI 6604-A 8X7X35	40500001	50035			
62	89	SELF LOCKING NUT M18 DIN 982 FINE PITCH	40200029	50027			
63	85	SELF LOCKING NUT M25X1.5	40700003	50036			
64	40	GREASER UNI 7663-A-M6X1	40600001	50029			
65***	6	BUSH FOR PIVOTAL VERTEX	SRM233D	50032			
66	-	STANDARD CARDAN SHAFT II° CAT. L=1000	42600012	-			
66#	-	SLIP CLUTCH CARDAN SHAFT II° CAT. L=1000	42600013	-			
66#	-	FREE WHEEL CARDAN SHAFT II° CAT. L=1000	42600014	-			
66#	-	SHEAR PIN CARDAN SHAFT II° CAT. L=1000	42600015	-			
68		WASHER D 10X30	40300013				
69	47	WASHER D 10X40	40300028	50006			

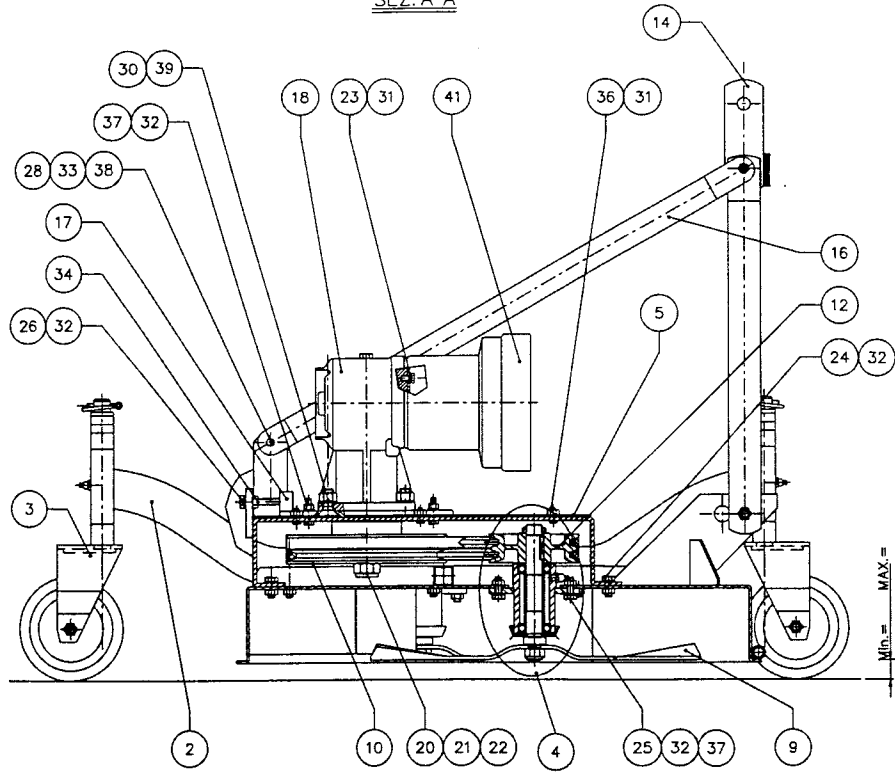
* : TIRE WHEEL – IN ALTERNATIVE WITH SAME POSITIONS WITHOUT *

** : PIVOTAL VERTEX – IN ALTERNATIVE WITH SAME POSITIONS WITHOUT **

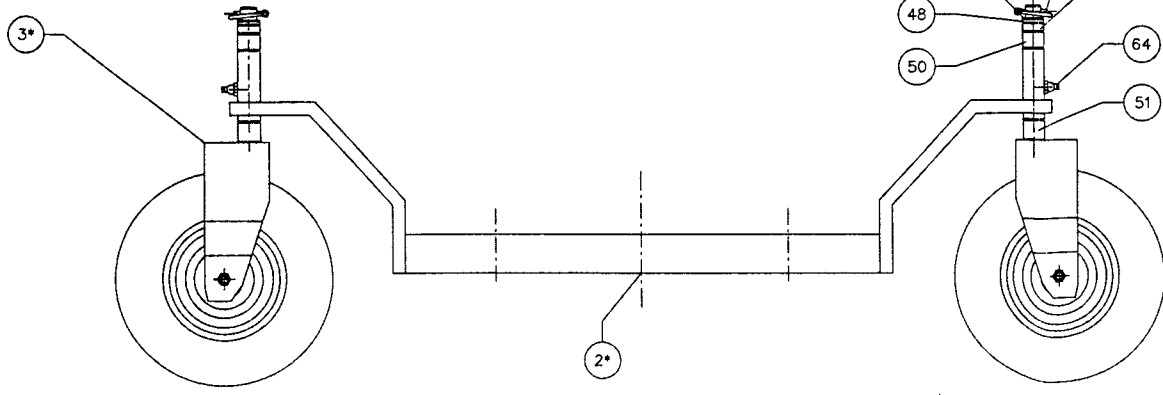
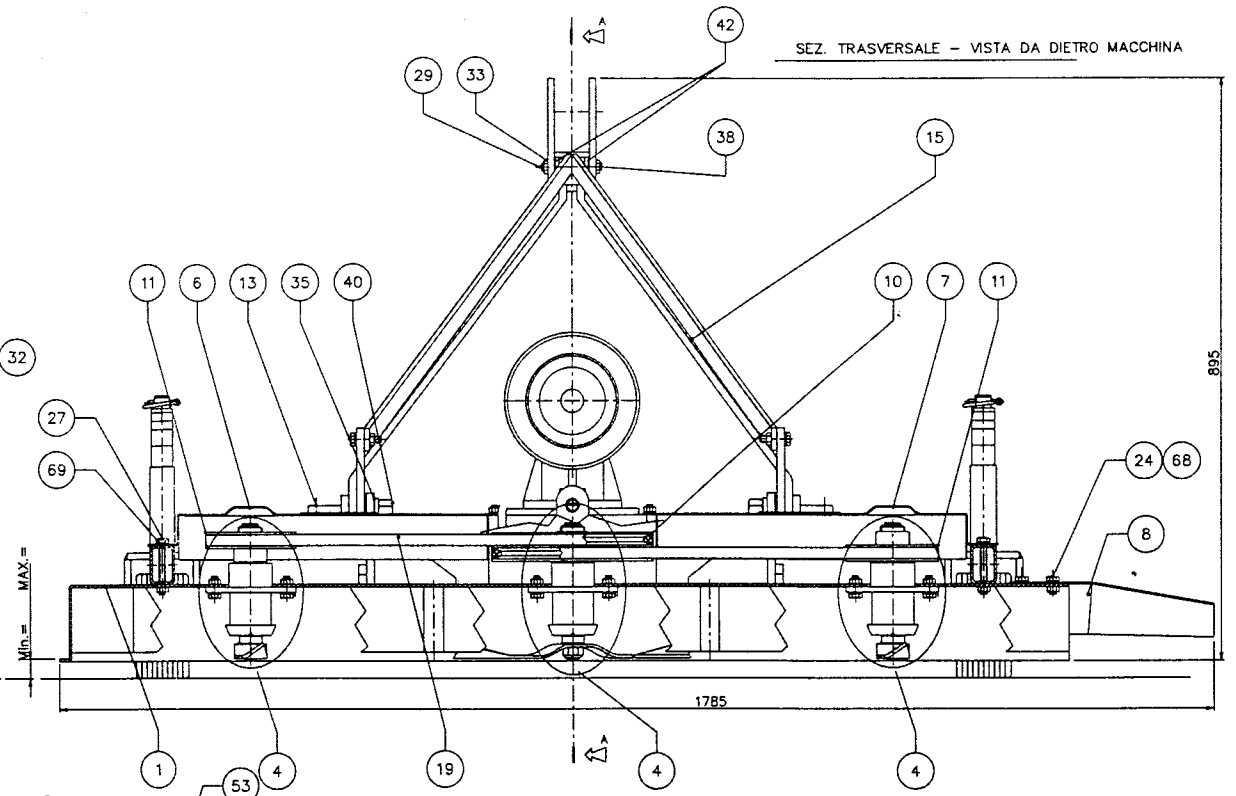
*** : ONLY FOR PIVOTAL VERTEX

: IN ALTERNATIVE WITH SAME POSITIONS WITHOUT

SEZ. A-A



SEZ. TRASVERSALE - VISTA DA DIETRO MACCHINA



PORTARUOTE E GRUPPO RUOTE PER VERSIONE CON RUOTE PNEUMATICHE

895

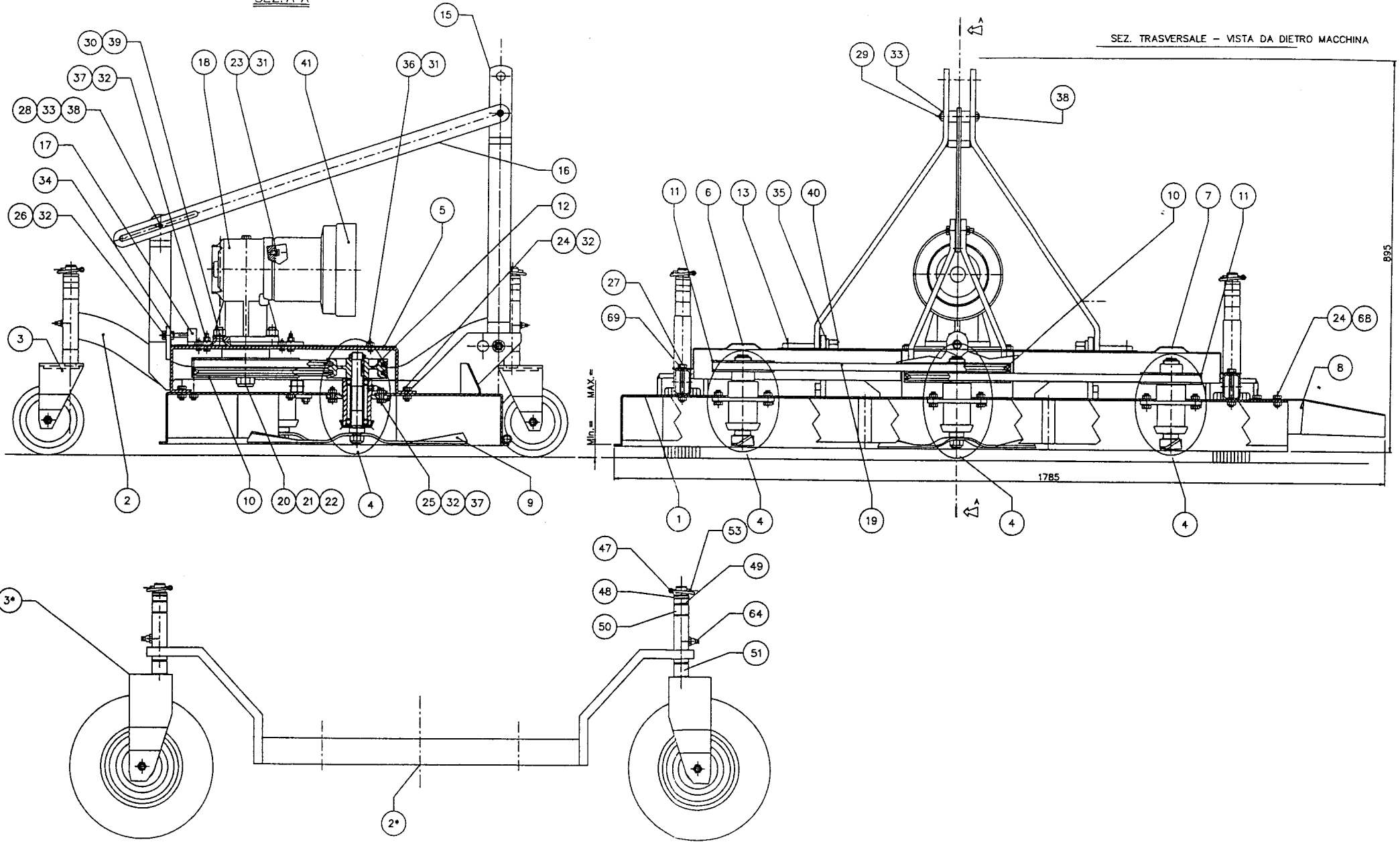
IL PRESENTE INSEGNO È STATO ESEGUITO CON TECNICA CAD - CON MODIFICA MANUALE INDOLE JAMESSEA

	Appr.	Data	Note	Dis. H.	SRM-001-A1-0
	Denominazione SRM 120				Codice
	ATTACCO PIVOTTANTE				Scala
	Gruppo INSIEME				Disegn. ARTUSO M.
				Data	11/12/95

C:\DWG\DAWOR\SRM\6351

SEZ. A-A

SEZ. TRASVERSALE - VISTA DA DIETRO MACCHINA



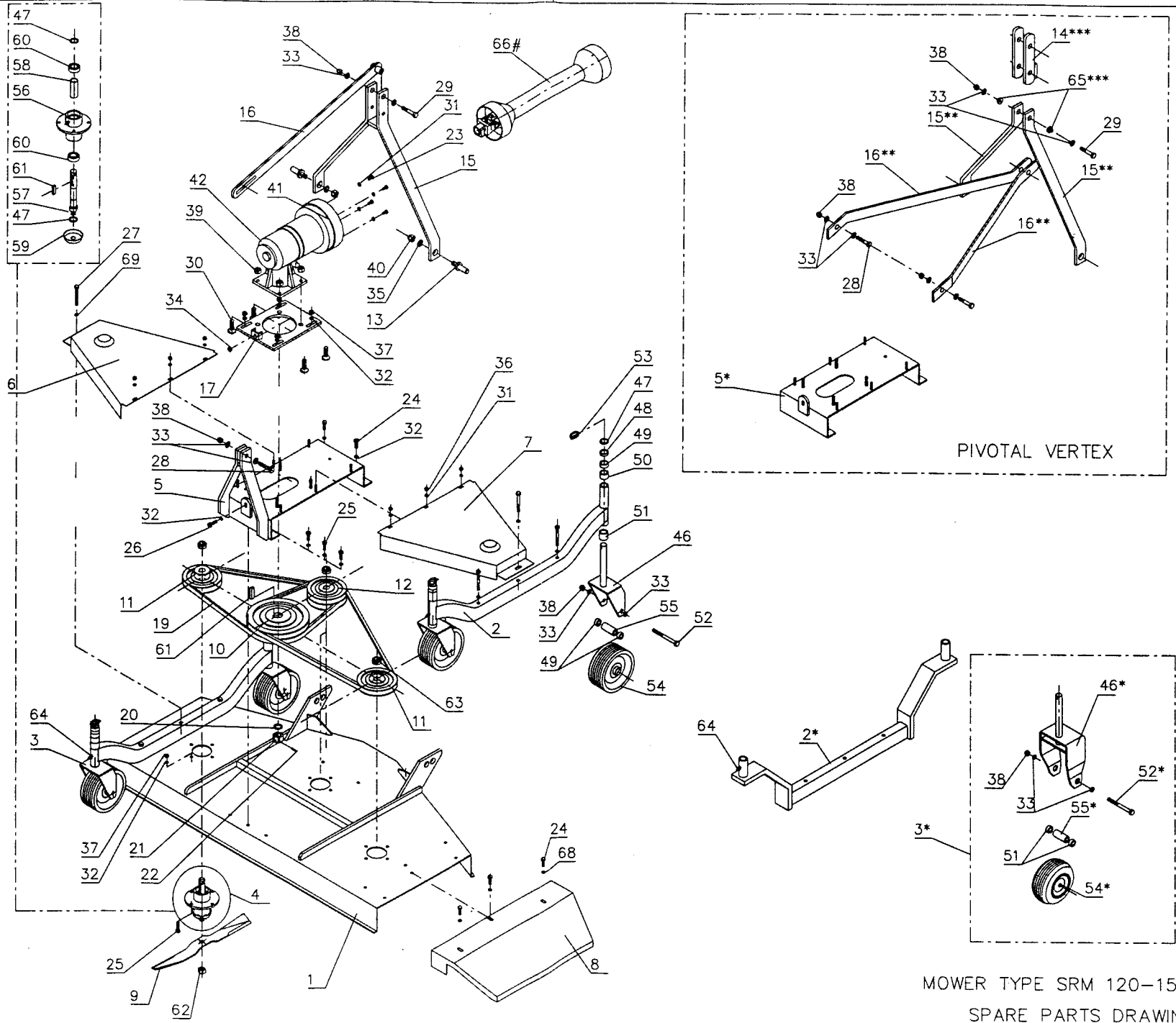
PORTARUOTE E GRUPPO RUOTE PER VERSIONE CON RUOTE PNEUMATICHE

895

IL PRESENTE DISEGNO È STATO ESEGUITO CON TECNICA CAD - CON MODIFICA MANUALE NOME LAVORISTA

	Appr.	Data	Note	Dis. N°	SRM-004-A1-0	
	Denominazione SRM 120					Codice
	ATTACCO REGISTRABILE					Q.tà
	Gruppo INSIEME					Scala 1:4
					Disegn. ARTURO M.	
					Data 11/12/98	

La ditta SRM, titolare di marchi e brevetti di legge in proprio, del presente disegno non consente di riprodurlo o utilizzarlo a fini diversi dai suoi.



Model	SRM 120-150-180
Part No.	1000000000
Quantity	1
Unit	EA
Material	STEEL
Finish	PAINT
Group	DECK
Drawn	
Checked	
Approved	

MOWER TYPE SRM 120-150-180
SPARE PARTS DRAWING